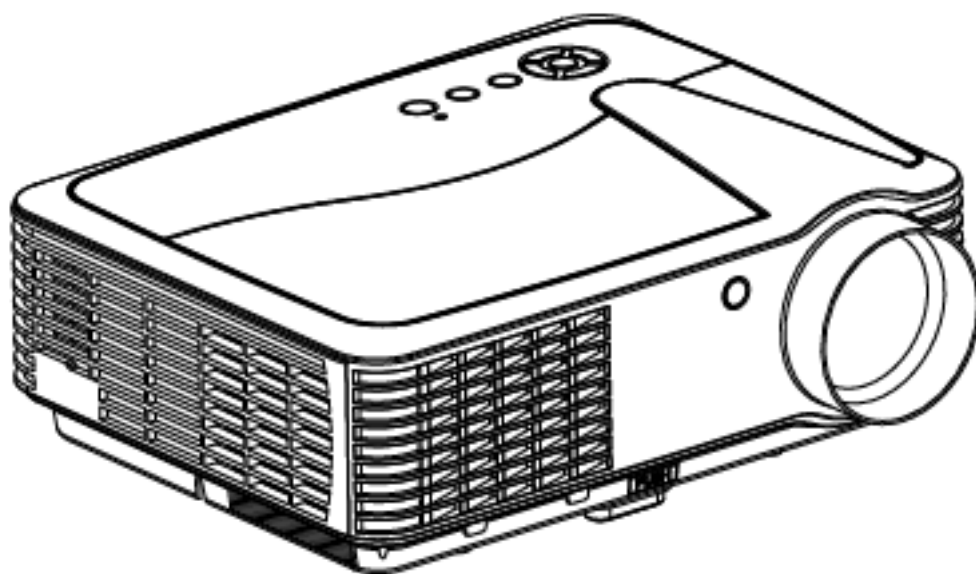


SALORA

PROJECTOR

MODEL: 60BFH3800



ENGLISH

CONTENT

- Warning 1
- Safety Precautions 2
- Caution 3
- Installation 4
- Structural Diagram 7
- Panel Keys Introduction 8
- Input Terminals 9
- Turning ON/OFF 10
- Image Adjustment 11
- Remote Control Introduction 12
- Menu Settings 13
- Multimedia Menu 16
- Connection to a PC Instructions 17
- Troubleshooting 18
- Specifications 19
- Accessory List 20

WARNING

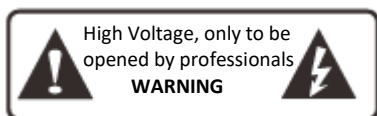
Warning

Do not look directly into the light of the lens, this can cause damage to the eyes, especially for children.



Warning:

Do not place the projector on a wet surface, this can cause an electric shock.



Important Operation Instructions



Dangerous High Voltage indicated

Caution class A device:

As the projector is class A device, it can cause electromagnetic interference.

Installation of the batteries in the remote control:

To avoid any damage to the remote control, please be sure to install the batteries correctly, matching the polarity in the battery compartment.

Never let children change the batteries, this can be dangerous.

SAFETY PRECAUTIONS

Please read this manual carefully before operating the projector and keep it for future reference

Please follow the instructions mentioned in this manual when operating or if the projector needs maintenance.

- 1. Cleaning**
Unplug the power cable before cleaning it. Clean the projector with a soft damp cloth. Do not use any liquid detergent or spray cleaner.
- 2. Accessories**
In order to avoid any damage, only use the accessories recommended by the manufacturer.
- 3. Wet surfaces**
Do not place the projector on any wet surfaces.
- 4. Installation**
Please install this projector on a stable and even surface.
- 5. Ventilation**
Do not place the projector on a bed, sofa carpet and the like.
- 6. Power**
Always check before using the projector that the mains voltage corresponds to the voltage of the projector.
- 7. Ground wire**
The plug on the power cord is connected to a ground wire.
- 8. Protect the power cable**
Make sure the power is in perfect working condition and not damaged in any way before using it.
- 9. Lightning**
When there is a storm and lightning disconnect the power cord from the mains. When not in use for an extended period, also unplug the projector from the mains.
- 10. Repair**
Never try to open the projector for any maintenance. Always ask a professional if any repairs have to be done.
- 11. Heat**
Make sure not to position the projector near a heat source or any heating devices. This can shorten the life-span of the projector.

CAUTION

Installation

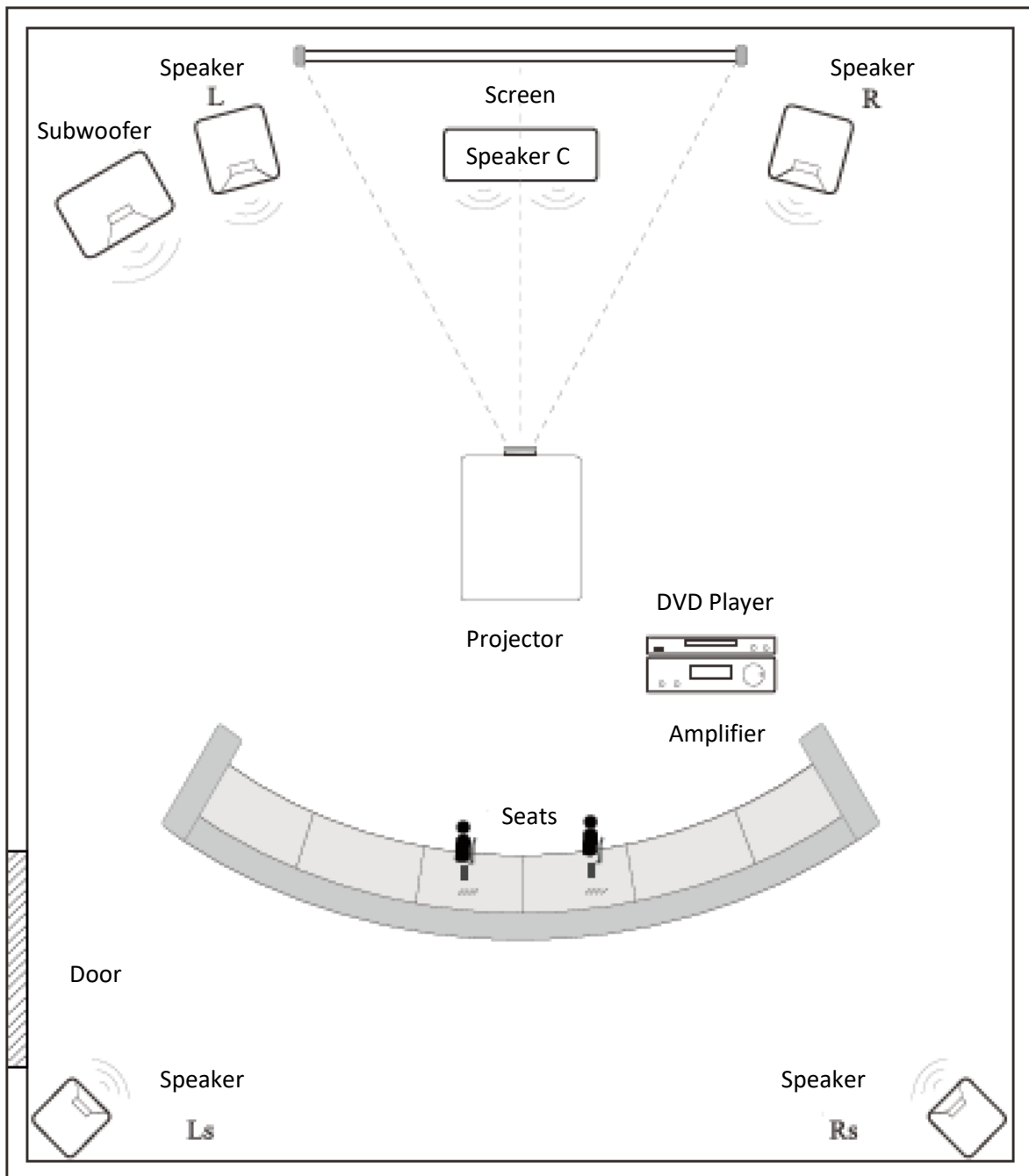
- In order to extend the life-span of the projector, do not use it under damp, dusty and foggy conditions, unless the lens and ventilation openings are cleaned frequently.
- For the best possible performance, please use the projector in a dark room, with the curtains drawn, protecting it from direct strong light. Make sure the projector is positioned on a stable and level surface, so that it cannot fall and cause personal damage. Please use this projector carefully, if it falls or hits something it can be damaged, especially the lens.
- Working temperature of the projector is: 5°C - 35°C
- Storage temperature of the projector is: 0°C - 40°C
- Do not block the ventilation openings of the projector. If the interior temperature of the projector is too high, it will automatically shut down to protect itself from damage. To prevent overheating, please clean the filter once a month.

Turning the projector on/off

- To turn the projector on, connect the power cable to the mains. Then press the power key on the panel. It will take a couple of minutes for the lamp to start operating.
- To turn the projector off, turn press the power key on the panel and the projector will be turned off. Then remove the power cable from the mains.

INSTALLATION

FULL SETTING



Avoid direct sunlight to obtain the best quality image. Draw the curtains, when using the projector during day time.

INSTALLATION

Standard Setting (Front Projection)

Please refer to the following table to adjust the picture size and distance (from the lens to the screen).

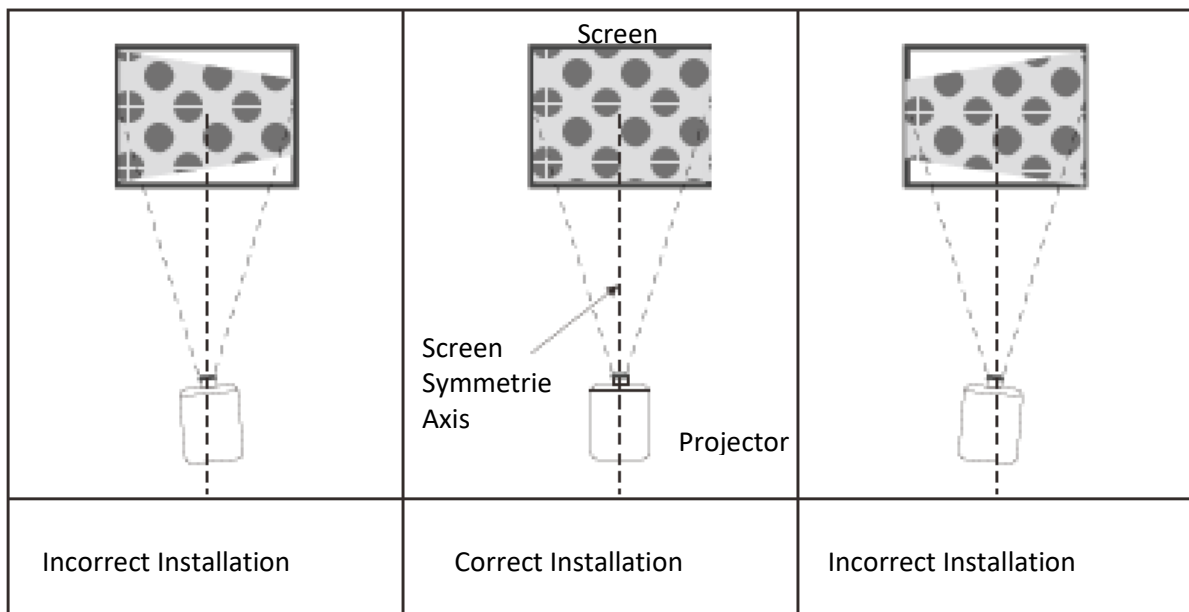
Dimensions Image	Distance	
	16:9	4:3
50"	1.63m	1.90m
70"	2.25m	2.65m
100"	3.10m	3.55m
120"	3.08m	4.40m

(For the best quality image, we advise you to not use the projector over 80".)

Please allow a $\pm 3\%$ margin to the image sizes in the table above. If the distance is less or more than the minimum or maximum parameters, the image can get blurry.

Warning:

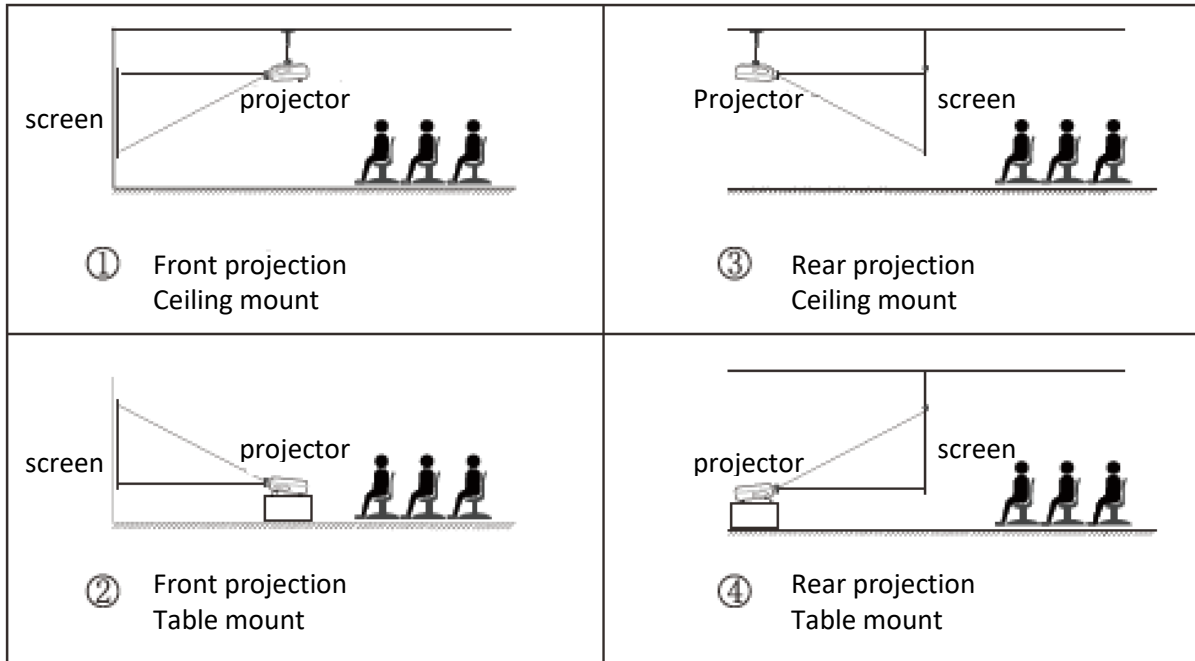
Please check the diagram below for the trapezoid adjustment.



INSTALLATION

Installation procedure

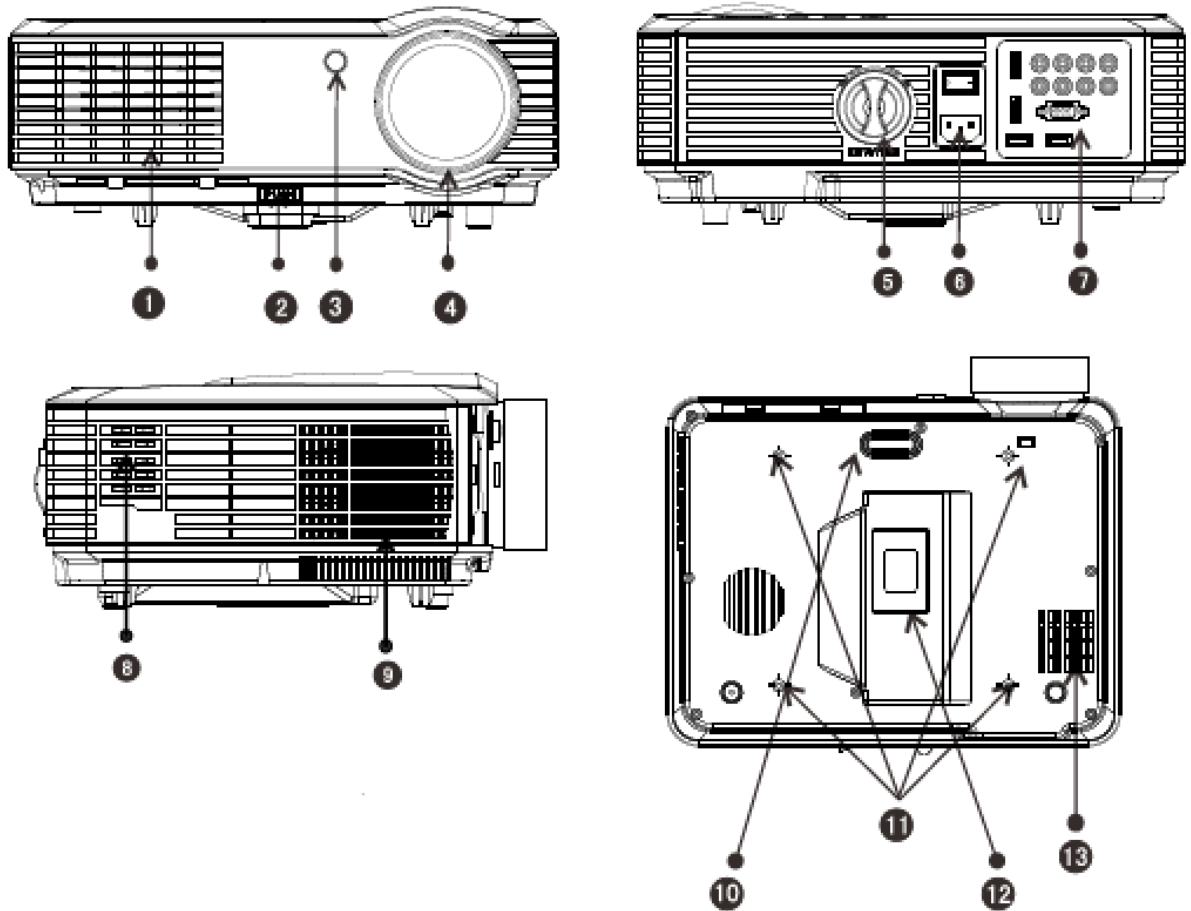
Contact a professional installer to mount the projector to the ceiling.
Follow the instructions below for the correct projector positions.



Warning:

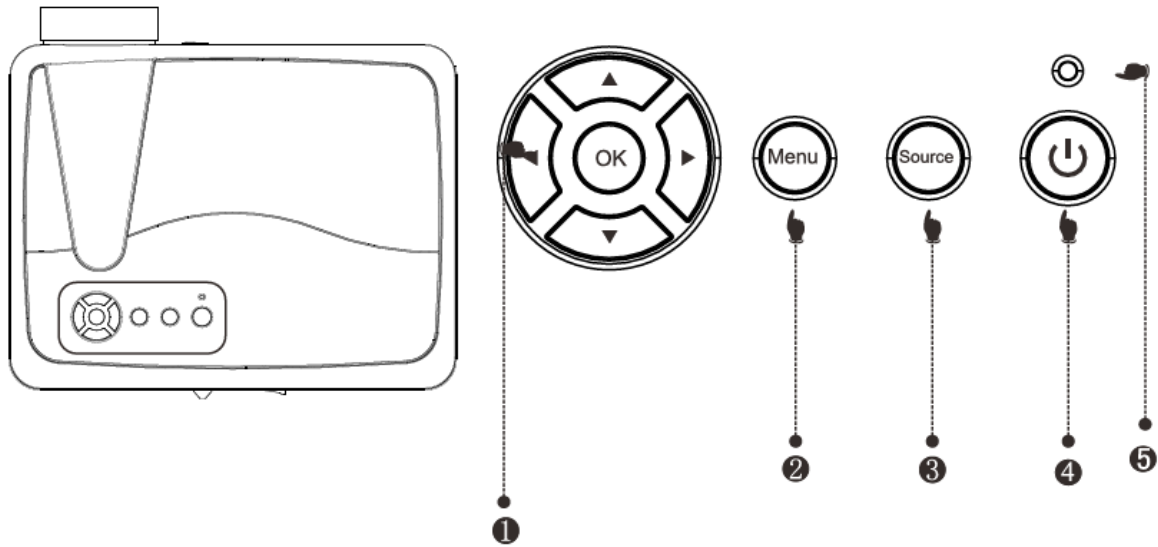
1. This can be damaged beyond repair if not correctly mounted on a ceiling or on a surface.
2. This projector should only be used in an environment where the temperature does not exceed the range of 5°C - 35°C. Failure to do so can cause the projector to malfunction.
3. Malfunction can occur if the projector is used in dusty, wet, moist or smoky conditions.
4. Poor ventilation can cause overheating which can lead to damage to the projector as well as life threatening situations.

INSTALLATION



1. Vent cool air intake
2. Level-stand adjustment
3. IR receiver
4. Focus Lens
5. Keystone
6. Power switch
7. Input terminals
8. Speaker
9. Vent hot air exhaust
10. Level-stand adjustment
11. Projector mount holes
12. Rating plate
13. Vent cool air intake

Panel key instruction



1) Navigation Key

By pressing this key, you can adjust the menu by using the Up/Down as well as the Left/Right navigation buttons.

2) Menu

By pressing this key, you can enter the main menu. With the navigation buttons you can scroll through the various options.

3) Source

With this key you can choose the input source: USB/AV/YPbPr/HDMI/VGA.

4) Power Key

With this key you can put the projector on/off. This function can also be found on the remote control.

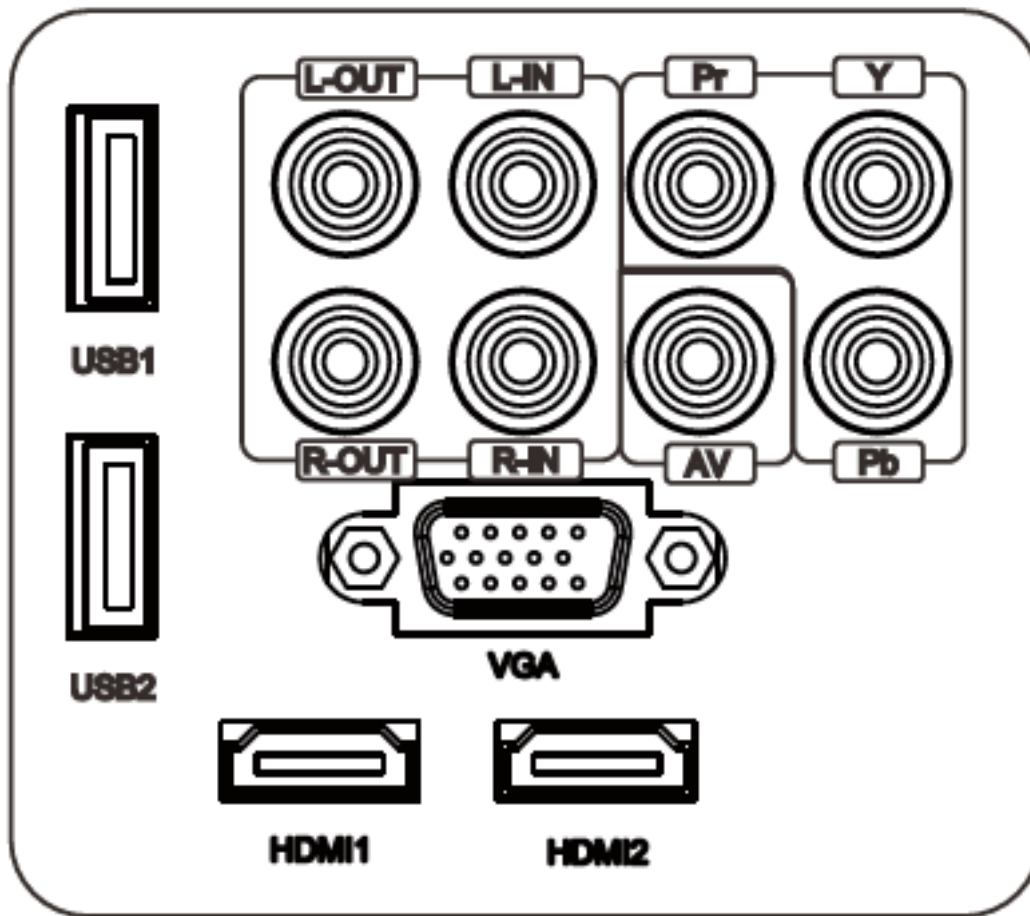
5) Indicator Light

Red: Standby mode

Blue: Operation mode

Input Terminals

Interface



Y/Pb/Pr	Component Video input
AV	Video output
L-Out, R-Out	Audio output left and right
L-In, R-In	Audio output left and right
VGA	VGA input
HDMI 1/2	HDMI signal input
USB 1/2	USB Flashdrive

Caution:

To avoid any damage, connect the input signal cable correctly **prior** to switching on the projector.

Turning the projector On/Off

Turning the projector on:

- 1) Install the two new batteries into the remote control before using the projector.



- 2) For switching the projector on, you need to press the power switch at the back, the indicator light will turn red.



- 3) Press the power button on the top panel or the remote control, the indicator light will turn blue.



- 4) After a few seconds, the lamp will begin to work.
- 5) When you use the projector for the first time, the image may appear blurry or distorted. Please refer to the Image Adjustment chapter for instructions to adjust the image quality.
- 6) You can always reset the system parameters at any time. Please refer to the menu Setting chapter.

Turning the projector off:

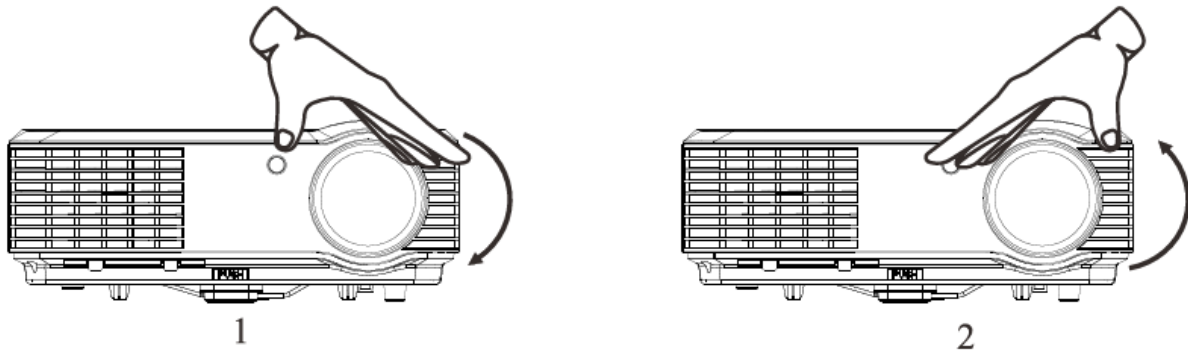
- 1) When the projector is in operation, press the power key and the projector will enter standby mode.
- 2) When the projector is in standby mode, the auto protection system will be activated. If you would like to restart the projector, press the power key again.

Image Adjustment

When you are using the projector for the first time, the image may appear unclear or trapezoid, because the focus and keystone haven't been adjusted yet. You can adjust the image by carrying out the following steps.

Focus adjustment

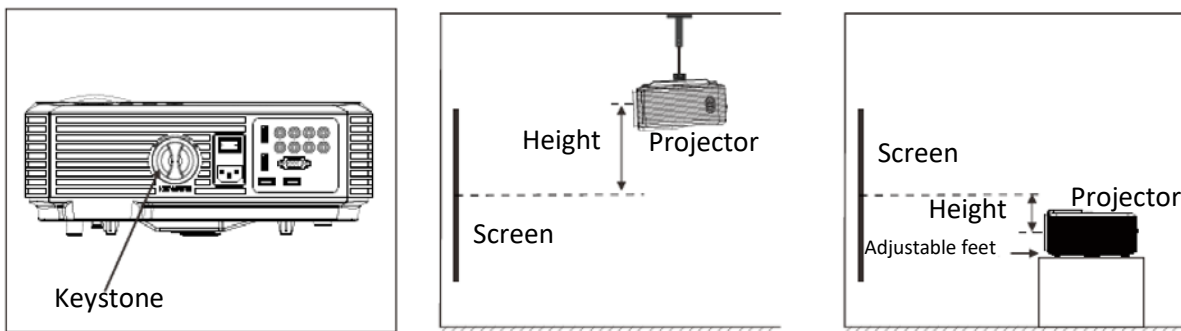
Turn the lens clockwise, after that turn it slowly counter clockwise. At the same time check the resolution point. The best position of the lens will be determined when the image is clear.



Please note: When you have moved the projector from a cold to a warm environment, water vapor may occur. Do not turn on the projector until the vapor has disappeared completely.

Keystone

If a projected image has a keystone distortion, you can adjust it with the keystone adjustment. The image has a trapezoid shape when the screen or projector is not level. Please reposition the projector to improve its angle to the screen. However, the outline of the image cannot be focused.



If the image cannot be corrected by using the keystone adjustment to correct the trapezoid distortion, please lower the projector to the center of the screen vertically.

Remote Control

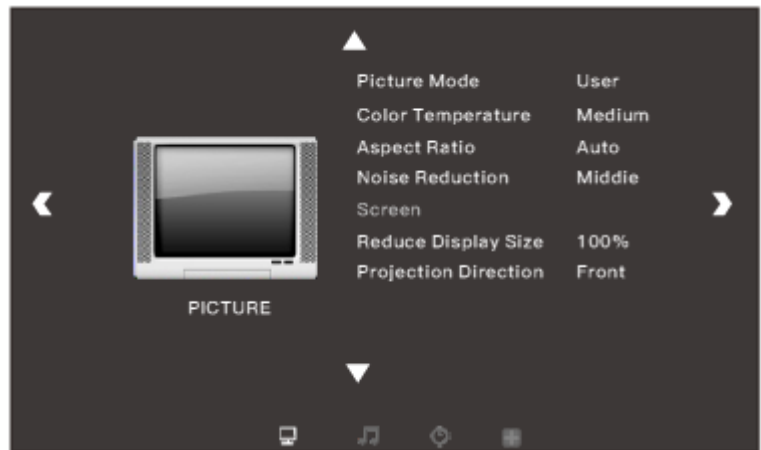


q	On/Off	W	Up
!	Mute	S	Down
Info	Display Information	A	Left
Pic.	Picture mode	D	Right
Audio	Audio mode	7	Previous
Zoom	Enlarge/reduce image size	8	Next
Rep.	Repeat function (when using USB multimedia)	5	Rewind
AB	AB cycle (when using USB multimedia)	6	Fast Forward
Aud.T	Audio tracks (when using USB multimedia)	12	Play/Pause
Subt.	Subtitle (when using USB multimedia)	3	Stop
Goto	To go to a certain time (when using USB multimedia)	OK	Confirm
USB	Enter USB mode	Vol +/-	Volume up/down
S	Switch source	CH +/-	Next/Previous channel
R	16 :9 / 4 :3 Aspect Ratio	Flip	Trun image 360 degrees
M	Menu	FRZ	Freeze image
exit	Exit	1,2,3..9	Choose TV channel

Menu Settings

1. Menu Settings

- 1) When the projector is turned, press the men key on the panel. The following image will appear on the screen (picture 1).

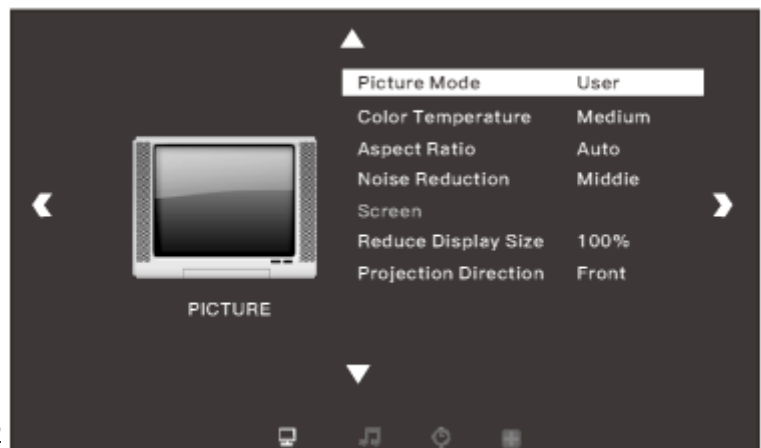


Picture 1

- 2) Press the a / d key, to enter the following sub-menus: picture>sound>time>option>channel.

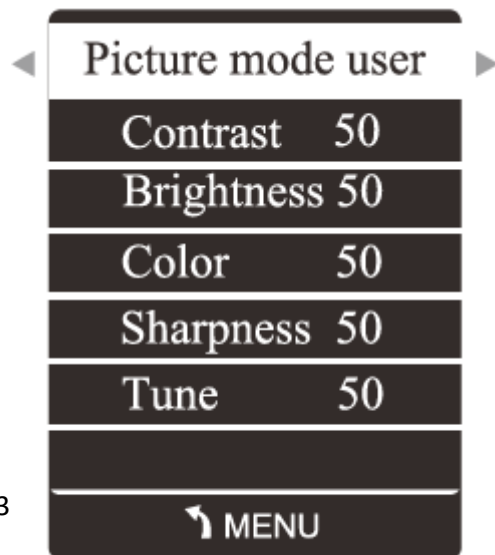


- 3) After entering the selected submenu, use the w / s to select the specific item you want to adjust (picture 2).



Picture 2

- 4) Press the OK and the a / d buttons to adjust the parameters (picture 3).
- 5) After completing the adjustment, press "menu" again to return to the previous menu.

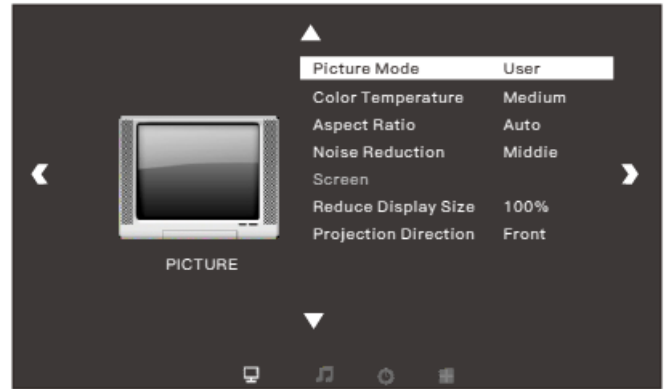


Picture 3

Menu Settings

2. Picture Menu

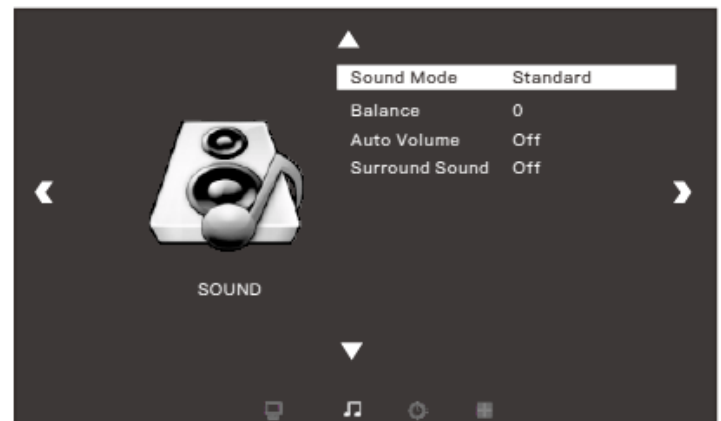
Picture Menu	
Picture Mode	Medium/Soft/User/Vivid
Color Temperature	Normal/Warm/User/Cool
Aspect Ratio	Auto/4:3/16:9
Noise Reduction	Off/Weak/Middle/Strong/Default



User Mode of Picture		
Contrast	0-100	Adjust the difference between darkness and brightness.
Brightness	0-100	Adjust the brightness of the whole picture.
Color	0-100	Adjust the color of the picture.
Sharpness	0-100	Adjust the sharpness of the picture.

3. Sound Menu

Sound Mode	
Sound Mode	Standard/Music/Movie/Sports/User
Balance	-50 ~ 50
Surround Sound	Off/SRS Trusurround XT/Surround



Menu Settings

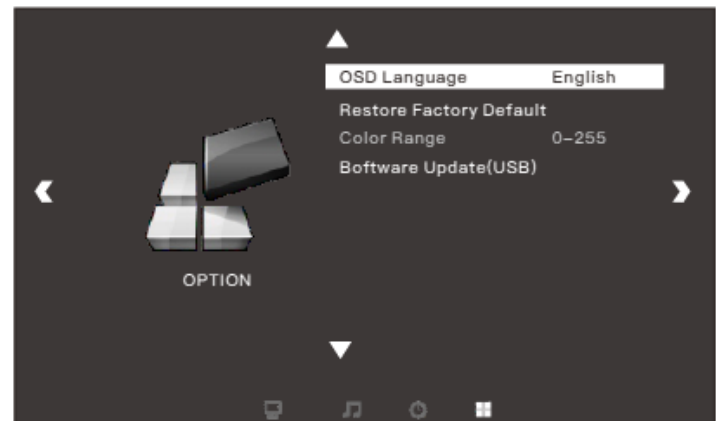
4. Time Menu

Time Menu	
Sleep Timer	Off/10min/20min/30/min/ 60/min/90min/120min/ 180min/240min
Auto Sleep	Off/3Hours/4Hours/5Hours



5. Option Menu

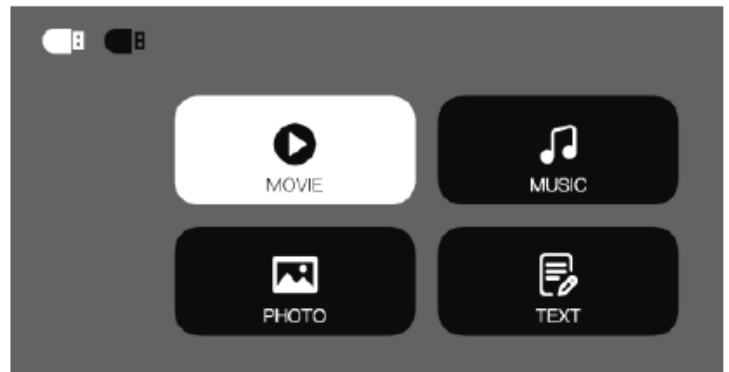
Menu Settings	
OSD Language	English/German/Chinese etc. total of 23 languages
Restore Factory Default	Yes/No



Multimedia Menu

Multimedia Menu

Multimedia Menu	
MOVIE	Watch a movie
MUSIC	Play an album
PHOTO	View photos in a gallery
TEXT	Read a book



Caution:

- 1) The USB interface supports USB1.1 and USB2.0, including hard drives and fresh drives.
- 2) The maximum storage supported is 400GB.
- 3) The system format supported: FAT16, FAT32, NTFS.
- 4) The USB interface can support most drives, but is not universal. Any unknown device problem is caused by the device drive.
- 5) The total current of the connected devices should not be over 1200mA. Problems caused by incorrect operations are not under guarantee.

Multimedia Format

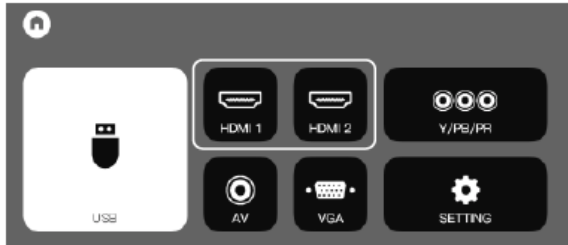
Audio Format	MP3/AAC/WMA/ASF/OGG/WAV
Image Format	JPEG/BMP/PNG
Video Format	3GP/AVI/FLV/MOV/MP4/MPG/VOB/RMVB
File Format	TXT

Software Update

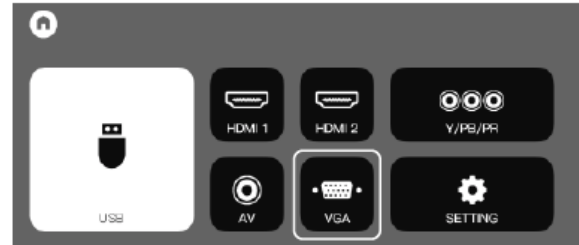
If the software needs to be updated, you can update the system by USB.

Connection to a PC Instructions

1. Connect with PC by HDMI:
Connect the project and the device with an HDMI cable, then press “Source” on the remote control or the panel, choose “HDMI-1” as input source (picture 1).
2. Connect with PC by VGA:
Connect the projector and the device with a VGA cable, then press source on the remote control or panel, choose “VGA” as input source (picture 2).



Picture 1

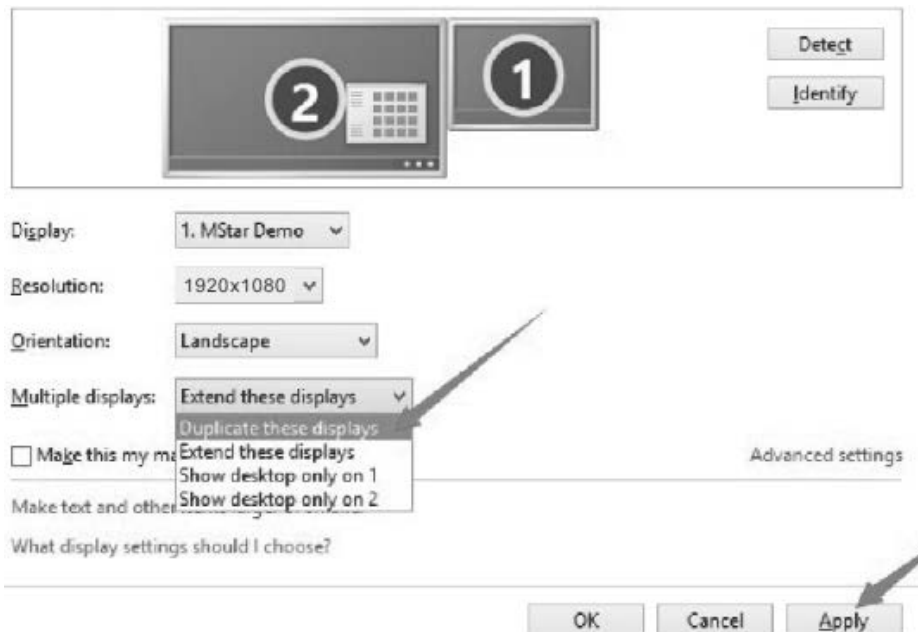


Picture 2

Tips:

Adjust the PC/Laptop display resolution to about 1920 x 1080 or a little bit higher, this can make the picture more clear.

If the screen display is incorrect after connecting the projector, please adjust your PC and change the “Multiple display” to “Duplicate Display” (see screenshot below).



Troubleshooting

Problem	Possible Causes
1. indicator light doesn't work when the power is on	❖ Power cable is not connected correctly.
	❖ The power switch is faulty.
2. The projector doesn't work when using the remote control	❖ The power switch is turned off.
	❖ The remote control has no batteries or the batteries are low.
	❖ The remote control is not directed at the IR receiver.
	❖ A bright light is shining on the IR receiver.
3. No image	❖ The input source may not be correct.
	❖ No input signal.
	❖ The input cable is not connected.
	❖ If under PC mode, the output frequency is not 50-60Hz. Make sure the PC output is connected with the projector.
	❖ When you are using a laptop, make sure the output signal is VGA.
4. The projector turns of automatically	❖ The projector ventilation is blocked.
	❖ The voltage is not stable.
	❖ The projector has overheated, check if the fan is not broken.

Specifications

LCD Panel Size	5.8" TFT	
Input Signal	Video	Component Video (YPbPr), VGA/HDMI/USB/AV
	Audio	Stereo
Output Signal	Audio	3W x 2 speakers
LCD	Native Resolution	1920 x 1080
	Contrast Ratio	30000:1
Lens	Focus	200mm
Lamp	LED	140W
	Life	50,000 hours
Image	Size	50-200 inch
	Brightness	3800 lumens
	Keystone	±15 degree
Power	Voltage	AC100-240V~50/60Hz
	Power Consumption	170W
Working Condition	Temperature	5°C - 35°C
	Humidity	10% - 65%
Store Condition	Temperature	0°C - 40°C
	Humidity	10% - 85%
Remote Control	Frequency	38KHz
Dimensions	Size	336 x 258.9 x 115mm
	Weight	3.5kgs

Please note: Specifications above are subject to change without prior notice.

Accessory List

Projector	1pc
Remote control	1pc
Power cable	1pc
AV signal cable	1pc
VGA signal cable	1pc
Manual	1pc
Spare fuse	1pc

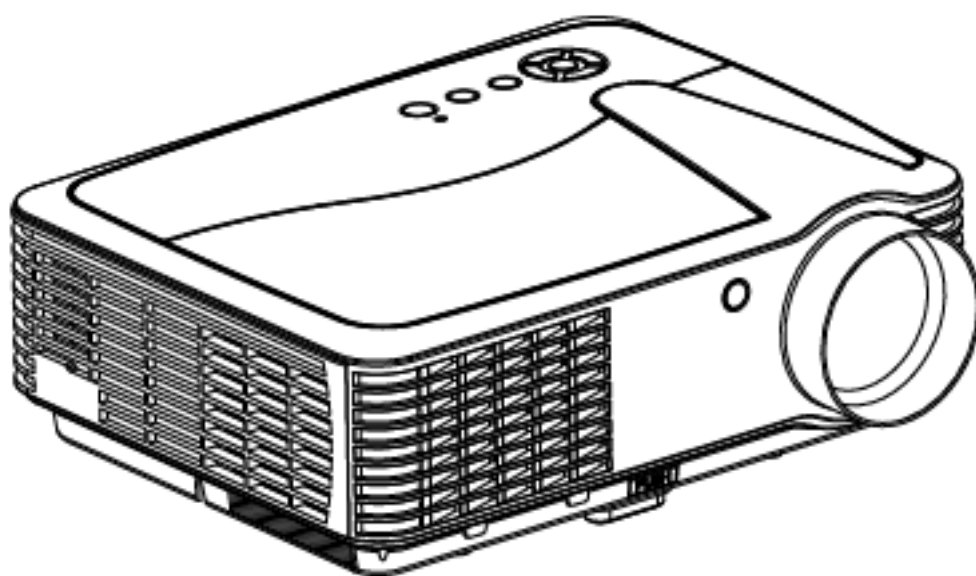
Accessories which can be purchased separately:

1. Projection screen
2. Ceiling mount

SALORA

BEAMER

MODEL: 60BFH3800



NEDERLANDS

INHOUD

INHOUD

Waarschuwing	2
Veiligheidsvoorschriften	3
Waarschuwing	4
Installatie	5
Volledige opstelling	5
Standaard Instelling	6
Opstelling methode	7
Product overzicht	8
Ingang Aansluitingen	9
Afstandsbediening	10
Bedieningspaneel toetsen	11
Projector Aan/Uit zetten	12
Aanpassen Beeldweergave/Keystone	13
Menu Instellingen	14
Instellen Menu	14
Software Update	17
Aansluiten op de PC	18
Probleem Oplossen	19
Specificaties	20
Accessoires Lijst	21

Veiligheid Voorschriften

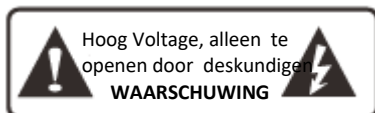
Waarschuwing

Kijk niet direct in het licht van de lens, dit kan uw ogen beschadigen, in het bijzonder bij kinderen.



Waarschuwing

Plaats dit apparaat niet op een natte ondergrond, dit kan een elektrische schok veroorzaken.



Belangrijke Bediening Instructies



Gevaarlijk Hoge Voltages

Let Op, een klasse A apparaat

Omdat dit apparaat een klasse A apparaat, kan deze elektromagnetische storing veroorzaken.

Plaatsen van de batterijen in de afstandsbediening;

Om schade te voorkomen, dient u de batterijen op de juiste manier in de afstandsbediening te plaatsen, waarbij de polen van de batterij en het compartiment overeenkomen.

Laat kinderen nooit de batterijen installeren, dit kan gevaarlijk zijn.

Veiligheid Voorschriften

Lees deze veiligheidsvoorschriften voor gebruik van de projector zorgvuldig door en bewaar deze voor eventueel latere raadpleging.

Volg de instructies voor het gebruik van de projector en eventueel bij reparaties.

- 1. Reinigen**
Gebruik een vochtige doek, zonder schoonmaakmiddel. Voordat u dit doet dient u de stekker uit het stopcontact te halen.
- 2. Accessoires**
Om schade te voorkomen, adviseren wij u uitsluitend de door ons aanbevolen accessoires te gebruiken.
- 3. Natte ondergrond**
Plaats deze projector niet op een natte ondergrond.
- 4. Installatie**
Plaats de projector op een stabiele ondergrond.
- 5. Ventilatie**
Voor een optimaal gebruik, adviseren wij u het filter één keer per maand te reinigen.
- 6. Vermogen**
Voordat u de stekker in het stopcontact doet, dient u te controleren of de netspanning overeen komt met het stopcontact.
- 7. Aarding**
De meegeleverde stekker is geaard.
- 8. Beschermen van de elektriciteitskabel**
Controleer of de elektriciteitskabel in goede staat is.
- 9. Onweer**
Indien u de projector gedurende lange tijd niet gebruikt of bij onweer dient u de stekker uit het stopcontact te halen.
- 10. Reparatie**
Door het hoge voltage dient u de projector niet zelf te openen of te repareren. Wendt u zich tot een gekwalificeerd elektricien.
- 11. Oververhitting**
Plaats de projector nooit in de buurt van een hittebron, dit kan de levensduur van het apparaat aanzienlijk verkorten.

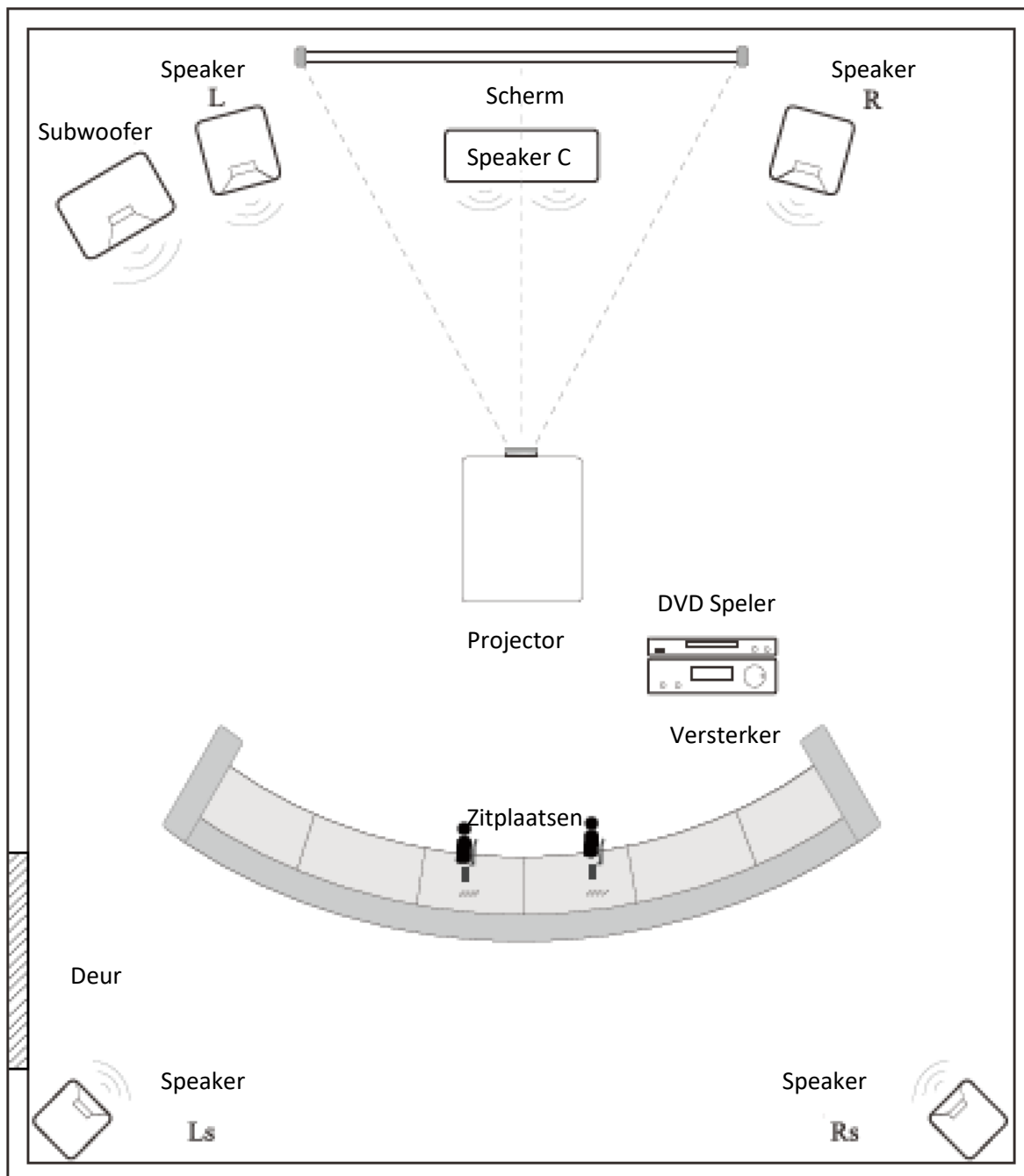
Installatie

- Voor een langere levensduur van de projector, gebruik dit apparaat niet onder vochtige, stoffige en mistige omstandigheden.
- Voor een optimale prestatie dient u de projector in een donker ruimte te gebruiken met de gordijnen gesloten, zodat u het zonlicht weert. Controleer of de ondergrond waarop de projector staat vlak en stabiel is zodat deze niet kan vallen en letsel kan veroorzaken. Gebruik de projector voorzichtig, het apparaat kan beschadigen indien u het stoot of laat vallen, in het bijzonder de lens.
- Temperatuur indien de projector in werking is:
5°C - 35°C
- Temperatuur indien de projector wordt opgeslagen :
0°C - 40°C
- Blokkeer de ventilatieopening van de projector niet. Indien de temperatuur in het apparaat te hoog is , zal deze automatisch uitschakelen, om beschadiging te voorkomen. Om oververhitting te voorkomen, dient u het filter één keer per maand te reinigen.

Aan/Uitzetten van de projector

- Om de projector aan te zetten, dient u de elektriciteitskabel in het stopcontact te doen. Druk daarna op de “power” schakelaar van het paneel. Het duurt enige minuten voordat de lamp zal aan gaan.
- Om de projector uit te zetten, dient u nogmaals op de “power” schakelaar te drukken. Haal daarna de stekker uit het stopcontact.

VOLLEDIGE OPSTELLING



Vermijd direct zonlicht om de beste beeld kwaliteit te verkrijgen. Sluit de gordijnen wanneer u de projector overdag gebruikt.

Installatie

Standaard Instellingen (Vooraan Projectie)

Raadpleeg onderstaand schema om weergave afmeting en afstand (van lens tot scherm) aan te passen.

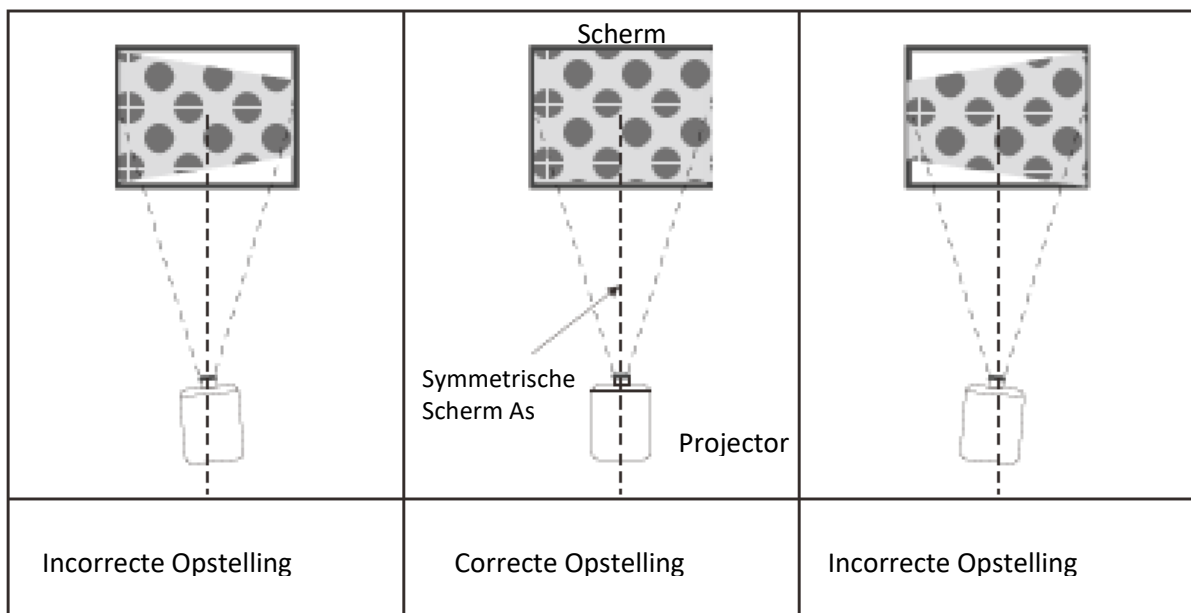
Afmeting Beeldweergave	Afstand	
	4:3	16:9
50"	1.63m	1.90m
70"	2.25m	2.65m
100"	3.10m	3.55m
120"	3.08m	4.40m

(Voor een optimaal beeld adviseren wij u niet boven de 80" te projecteren)

Behoud een marge van +/- 3% met betrekking tot de hierboven genoemde afmetingen van de beeldweergave.

Waarschuwing:

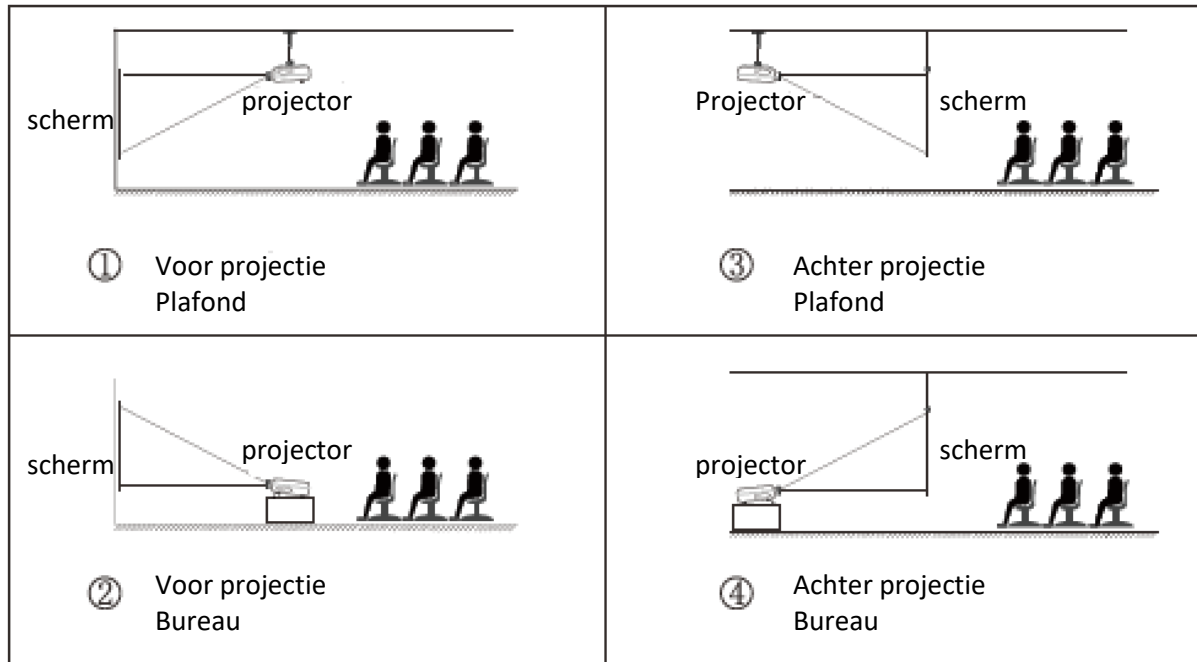
Raadpleeg onderstaand schema voor de trapezium correctie:



Installatie

Opstelling methode

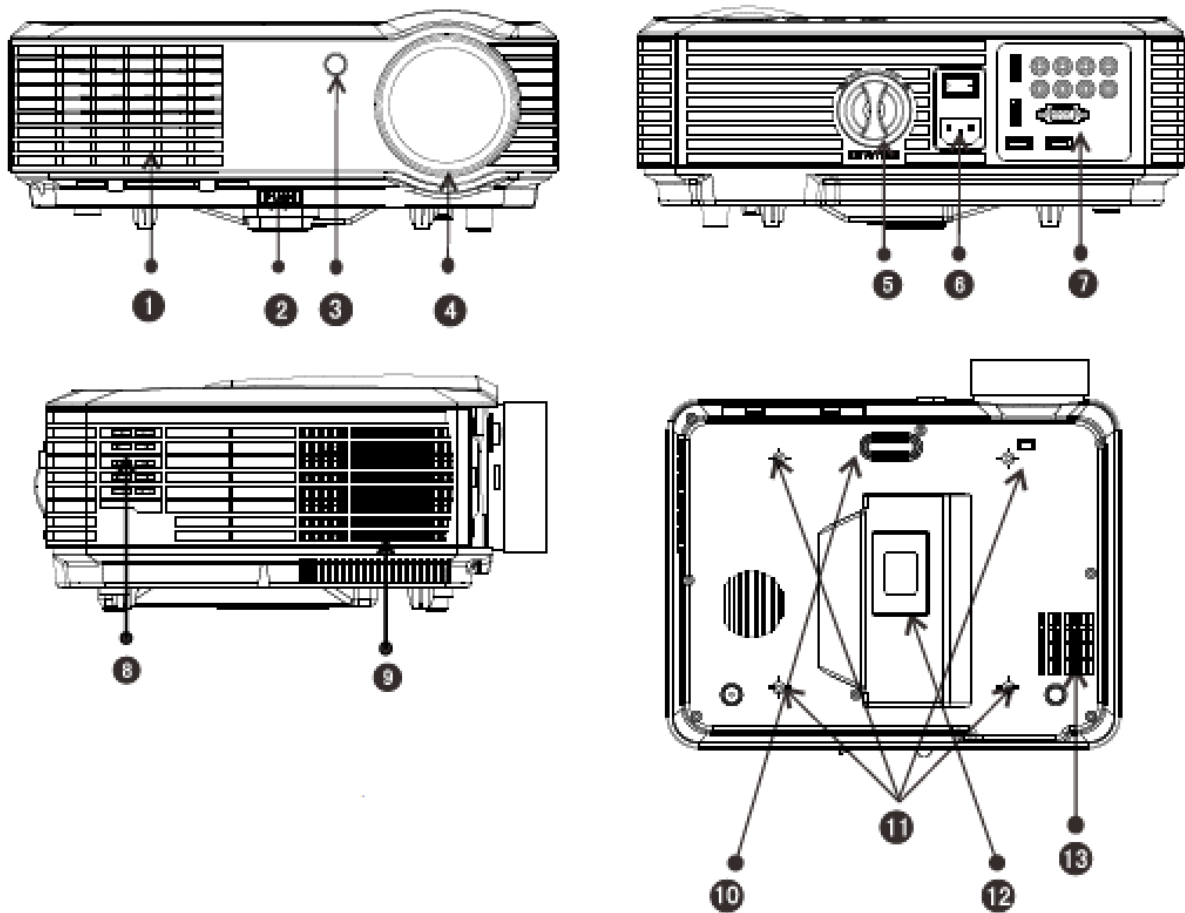
Neem contact op met een specialist om de projector aan het plafond te bevestigen.
Volg de instructies, hieronder aangeven, voor een juiste projectie opstelling.



Waarschuwing:

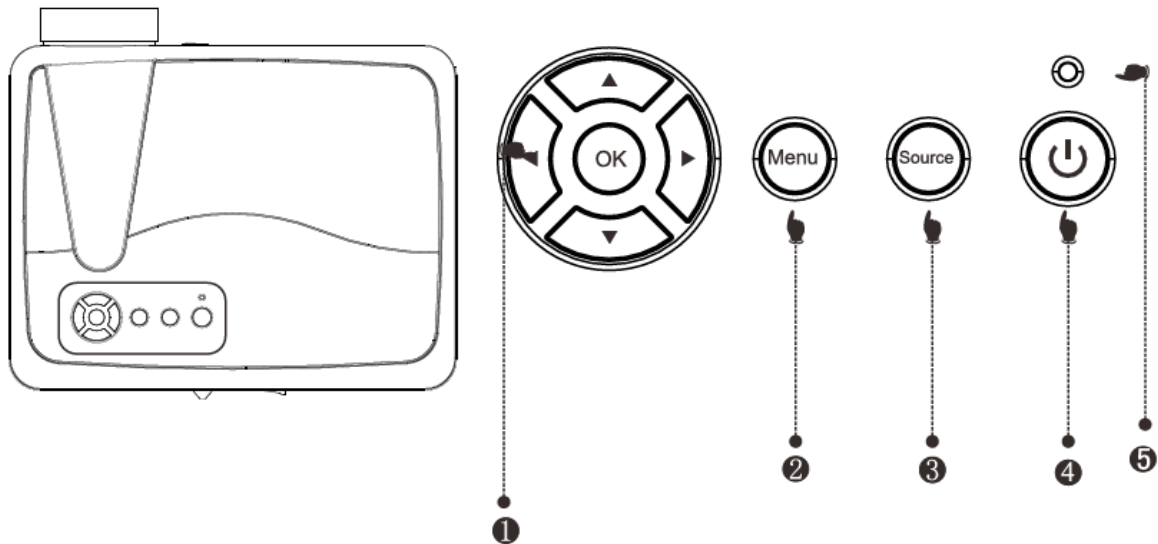
1. Indien het apparaat onjuist is bevestigd, zowel aan het plafond als op het bureau, kan het onherstelbaar beschadigen.
2. Deze projector dient uitsluitend te worden gebruikt in een omgeving met een temperatuur die de minimale en maximale waarden van 5°C – 35°C niet overschrijdt. Bij overschrijding van de waarden kan de projector niet meer goed werken.
3. Onder stoffige, natte, vochtige of rokerige omstandigheden kunnen storingen ontstaan.
4. Onvoldoende ventilatie kan ervoor zorgen dat de projector oververhit en beschadigt. Bovendien kan dit levensgevaarlijk zijn.

Installatie



1. Koele lucht ventilatie inlaat
2. Verstelbare standaard
3. IR ontvanger
4. Lens focus
5. Keystone
6. Aan/Uit schakelaar
7. Ingang aansluitingen
8. Luidspreker
9. Warme lucht ventilatie uitlaat
10. Verstelbare standaard
11. Gaten voor montage projector
12. Typeplaatje
13. Koele lucht ventilatie inlaat

Installatie



1) Navigatie knoppen

Door op deze knoppen te drukken kunt u in het menu opties selecteren, u kunt de Omhoog/Omlaag knoppen en de Links/rechts knoppen gebruiken.

2) Menu

Door op deze knop te drukken kunt u het hoofdmenu openen. Door middel van de navigatie knoppen kunt u uw keuze selecteren.

3) Ingangsbron

Hiermee kunt u de ingangsbron selecteren: USB/AV/YPbPr/HDMI/VGA.

4) Aan/Uit knop

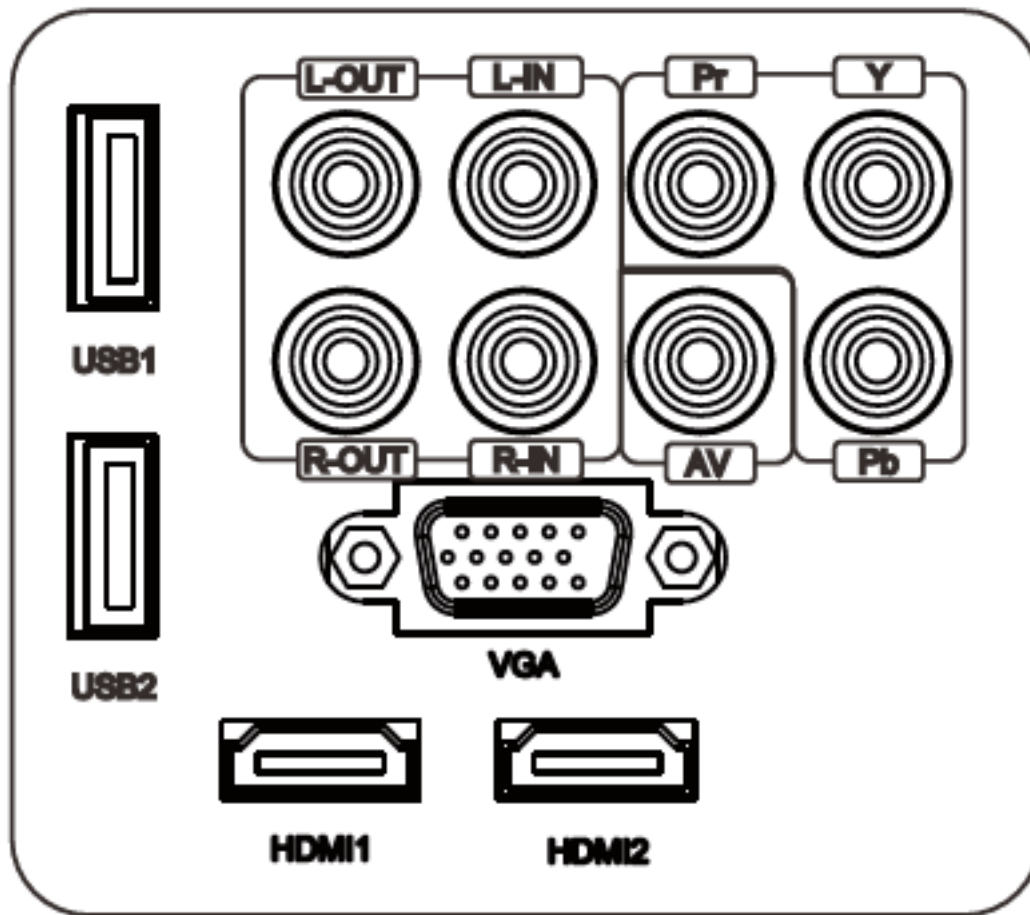
Hiermee kunt u de projector aan- of uitzetten. Deze functie is ook beschikbaar op de afstandsbediening.

5) Indicatie lampje

Rood: Stand-by modus

Blauw: Werking modus

Projector Aan/Uit zetten



Naam	Omschrijving
Y/Pb/Pr	Component video ingang
AV	Video ingang
L-Out, R-Out	Audio uitgang
L-In, R-In	Audio ingang
VGA	VGA ingang
TV	Analoog TV/digitaal TV/GEEN TV
HDMI 1 / 2	HDMI signaal ingang
USB	Aansluiting USB Flashdrive

LET OP:

Om schade te voorkomen, dient u de signaal ingang kabel op de juiste manier aan te sluiten voordat u de projector aan zet.

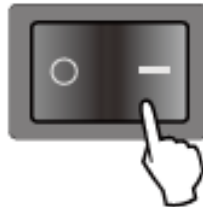
Projector Aan/Uit zetten

Projector Aanzetten:

- 1) Plaats de twee nieuwe batterijen in de afstandbediening voordat u de projector gaat gebruiken.



- 2) Om de projector aan te zetten moet u de schakelaar aan de achterzijde indrukken, het indicatie lampje wordt nu rood.



- 3) Druk op de knop van het bedieningspaneel of van de afstandsbediening, het indicatie lampje wordt nu blauw.



- 4) Na een paar seconden zal de lamp gaan werken.
- 5) Wanneer u de projector voor de eerste keer gebruikt kan het beeld wazig of onscherp zijn. Kijkt u hiervoor bij het hoofdstuk beeld aanpassen voor de instructies om de beelkwaliteit te verbeteren.
- 6) U kunt altijd e systeem parameters herstellen. Kijkt u hiervoor bij het hoofdstuk Instellingen Menu.

Projector uitzetten:

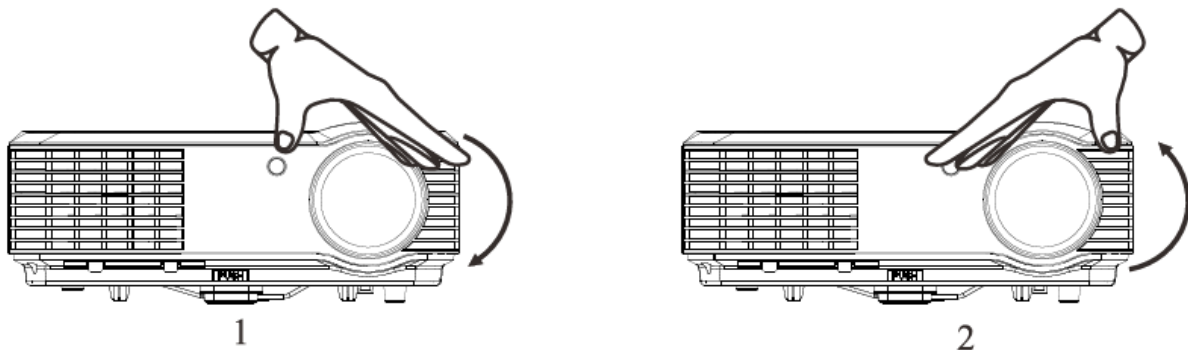
- 1) Wanneer de projector aan stat, drukt u op de aan/uit knop en de projector zal in de stand-by modus gaan.
- 2) Wanneer de projector in stand-by modus staat zal het auto protection systeem geactiveerd worden. Indien u de projector weer aan wilt zetten, drukt u nogmaals op de aan/uit knop.

Aanpassen Beeldweergave

Bij het eerste gebruik kan de beeldweergave onscherp en vervormd zijn. Dit komt omdat de focus en keystone nog niet zijn aangepast. Hieronder volgen instructies om dit te corrigeren.

Aanpassen focus

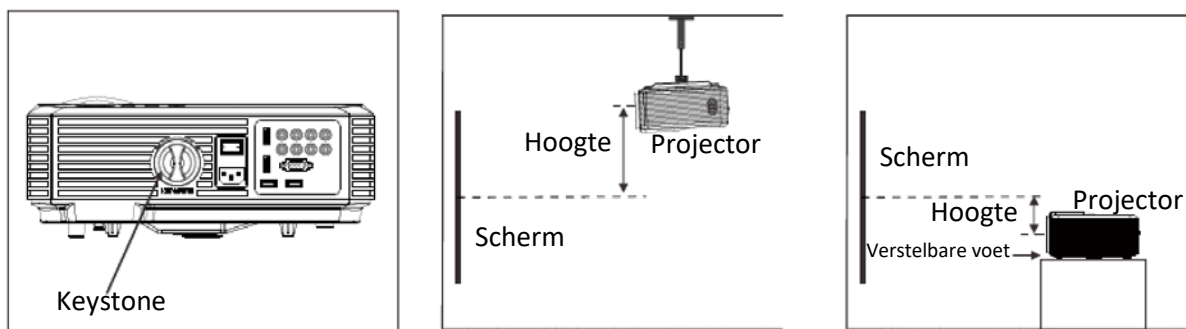
Draai de lens met de klok mee, draai daarna de lens langzaam tegen de klok in. Controleer tegelijkertijd het resolutie punt. Indien de beeldweergave scherp is, heeft de lens de beste positie.



N.B.: Indien u de projector verplaatst van een koude naar een warme ruimte kan er condens ontstaan. Zet de projector niet eerder aan dan wanneer de condens is verdwenen.

Keystone

Indien de beeldweergave een beeldvervalsing heeft veroorzaakt door de projectiehoek, kunt u dit corrigeren door middel van de Keystone knop. Het beeld krijgt een vervorming indien de projector niet waterpas staat. Verplaats de projector en wijzig de projectiehoek. Echter, de omtrek van de beeldweergave kan niet helemaal scherp zijn.



Indien u de beeldvervalsing niet kunt corrigeren door middel van de Keystone functie, kunt u de projector verticaal laten zakken richting het midden van het scherm.

Afstandsbediening

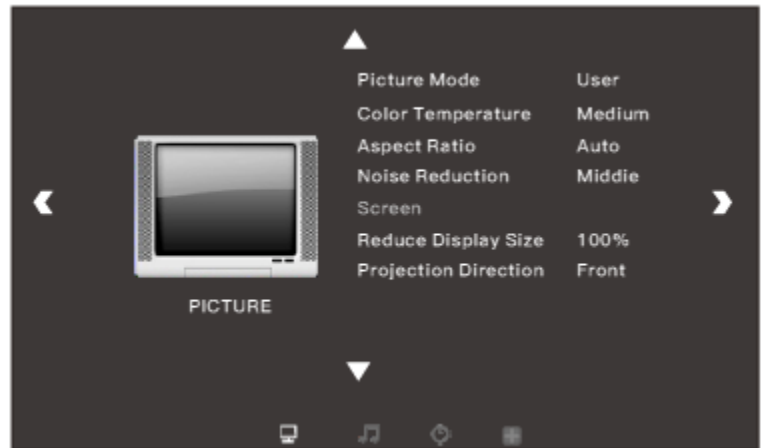


q	Aan/Uit	W	Omhoog
!	Geluid uit	S	Omlaag
Info	Informatie weergave	A	Links
Pic.	Afbeelding modus	D	Rechts
Audio	Audio modus	7	Vorige
Zoom	Vergroten/verkleinen beeldweergave	8	Volgende
Rep.	Herhaal functie (bij gebruik van afspelen USB multimedia)	5	Snel terug
AB	AB cyclus (bij gebruik van afspelen USB multimedia)	6	Snel vooruit
Aud.T	Audio nummers (bij gebruik van afspelen USB multimedia)	12	Afspelen/Pauzeren
Subt.	Ondertiteling (bij gebruik van afspelen USB multimedia)	3	Pauzeren
Goto	Direct naar (bij gebruik van afspelen USB multimedia)	OK	Bevestigen
USB	Openen van USB modus	Vol +/-	Volume verhogen/verlagen
S	Ingangsbron wijzigen	CH +/-	Volgend/vorig kanaal
R	16 :9 / 4 :3 Beeldformaat	Flip	Beeldweergave 360 graden keren
M	Menu	FRZ	Beeldweergave vastzetten
exit	Verlaten	1,2,3..9	Selecteer een TV kanaal

Afstandsbediening

1. Menu Instellingen

- 1) Terwijl de projector in werking is, drukt u op de menu knop, de projector geeft nu een beeld weer zoals hiernaast afgebeeld (afbeelding 1).

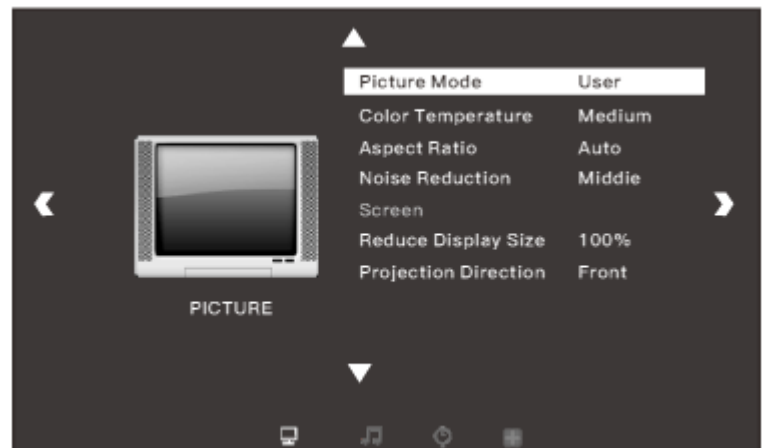


Afbeelding 1

- 2) Druk op de w/s knoppen, om de volgende menu's te openen: Beeld/Geluid/Tijd/Opties/Applicaties/Kanaal.

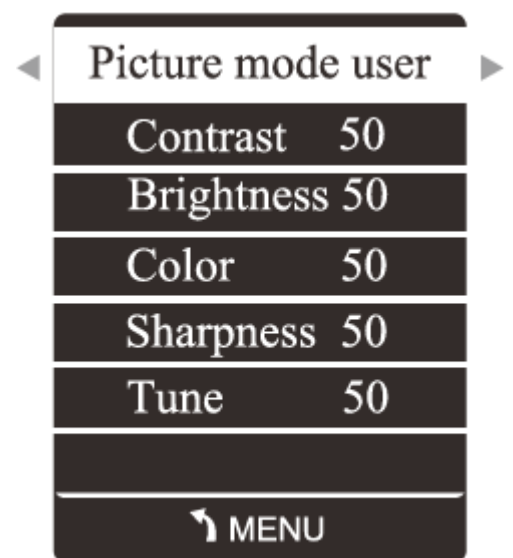


- 3) Nadat u het submenu heeft geopend, drukt u op de a/d knoppen om een item te selecteren, welke u wilt aanpassen (afbeelding 2).



Picture 2

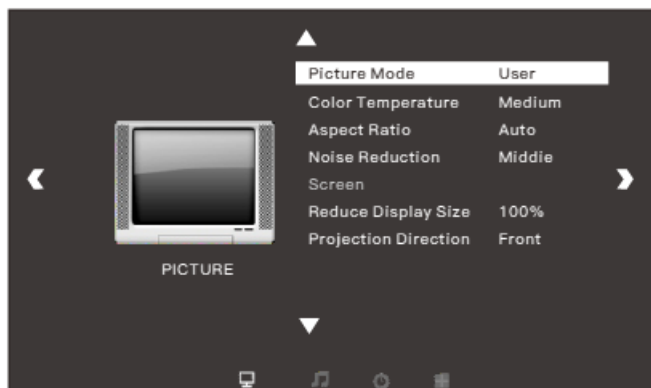
- 4) Door middel van de "OK" en a/d knoppen, kunt u de parameters aanpassen (afbeelding 3).
- 5) Nadat u de aanpassing heeft voltooid, drukt u nogmaals op "menu" om terug te gaan naar het vorige menu.



Probleem Oplossen

2. Beeld Menu

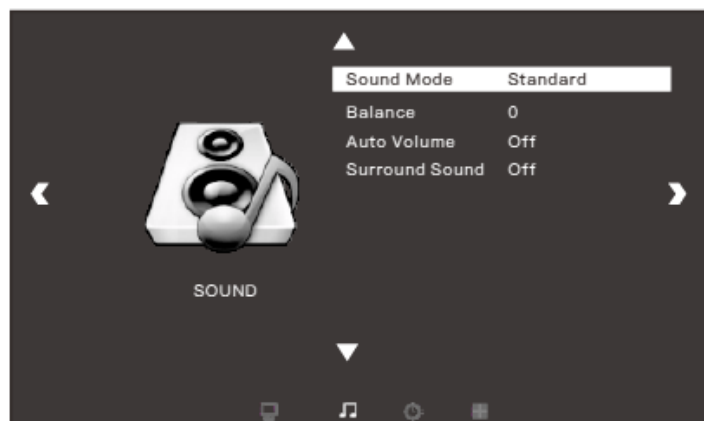
Beeld Menu	
Beeld Modus	Standaard/Mild/Gebruiker/Dynamisch
Kleurtemperatuur	Normaal/Warm/gebruiker/Koel
Beeldverhouding	Auto/4:3/16:9
Ruisonderdrukking	Uit/Laag/Midden/Hoog/Default



Gebruiker modus Beeld		
Contrast	0 – 100	Aanpassen van verschil tussen donker en helder beeld.
Helderheid	0 – 100	Aanpassen van helderheid van het totale beeld.
Kleur	0 – 100	Aanpassen van de kleur van het beeld.
Scherpte	0 - 100	Aanpassen van de scherpte van het beeld.

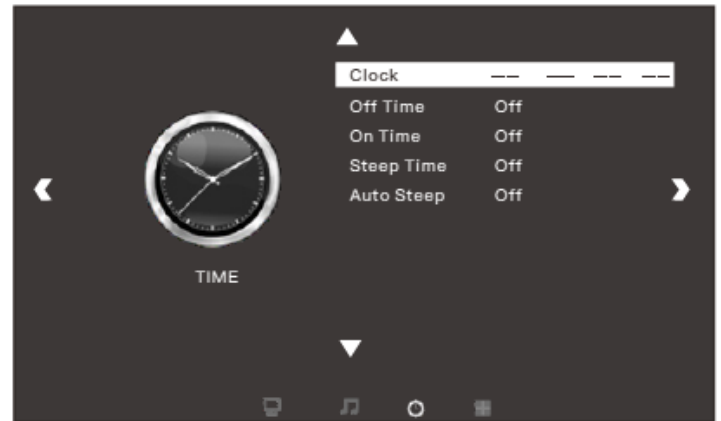
3. Geluid Menu

Geluid Modus	
Geluid Modus	Standaard/Muziek/Film/Sport/Gebruiker
Balans	-50~50
Surround geluid	Uit/SRS TruSurround XT/Surround



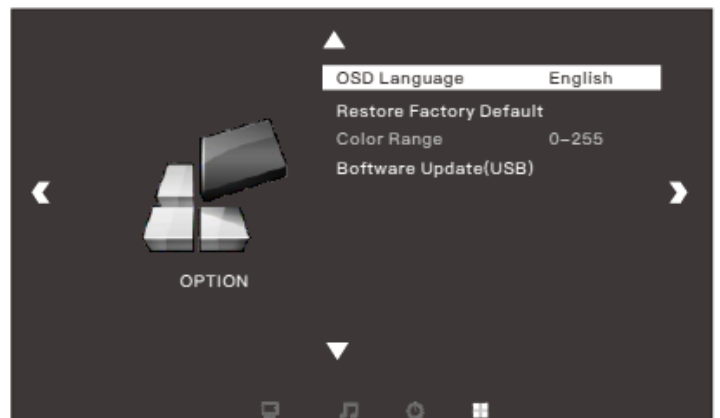
4. Tijd Menu

Tijd Menu	
Sleep Timer	Uit/10 min/20 min/30 min/60 min/90 min/120 min/180 min/240 min
Auto Sleep	Uit/3 Uur/4 Uur/5 Uur



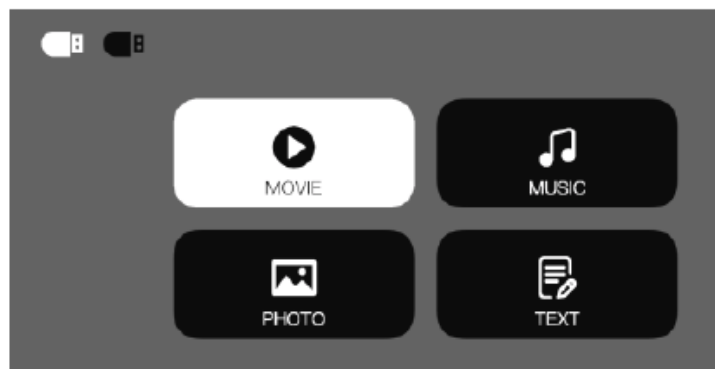
5. Optie Menu

Menu Instellingen	
OSD Taal	Engels/Duits/Chinees/Totaal 23 talen
Terug naar Fabrieksinstellingen	Ja/Nee



6. Multimedia Menu

Multimedia Menu	
FOTO	Foto's bekijken in de galerij.
MUZIEK	Album afspelen.
FILM	Film kijken.
TEKST	Een boek lezen.



LET OP:

- 1) De USB Interface ondersteunt USB1.1, USB2.0, inclusief hard drives en flash drives.
- 2) De maximum opslag capaciteit is 400GB.
- 3) De systeem formats die ondersteund worden: FAT16, FAT32, NTFS.
- 4) De USB interface ondersteunt de meeste drives maar is niet universeel. Indien er zich een onbekend probleem voordoet met het apparaat zal dit worden veroorzaakt door de drive van het apparaat.
- 5) Het totale vermogen van de aangesloten apparaten mag niet hoger zijn dan 1200mAh. Problemen die hierdoor worden veroorzaakt, vallen niet onder de garantie.

Multimedia Format

Audio Format	MP3/AAC/WMA/ASF/OGG/WAV
Beeld Format	JPEG/BMP/PNG
Video Format	3GP/AVI/FLV/MOV/MP4/MPG/VOB/RMVB
Bestand Format	TXT

Software Update

Indien de software dient te worden geüpdate, kunt u dit doen door middel van de USB.

Probleem Oplossen

1. Verbind de PC door middel van HDMI:
Sluit een HDMI kabel aan op de projector en de PC, druk vervolgens op “Source” van de afstandsbediening, selecteer “HDMI-1” als uw invoerbron (afbeelding 1).
2. Verbind de PC door middel van VGA:
Sluit een VGA kabel aan op de projector en de PC, druk vervolgens op “Source” van de afstandsbediening, selecteer “VGA” als uw invoerbron (afbeelding 2).



Afbeelding 1

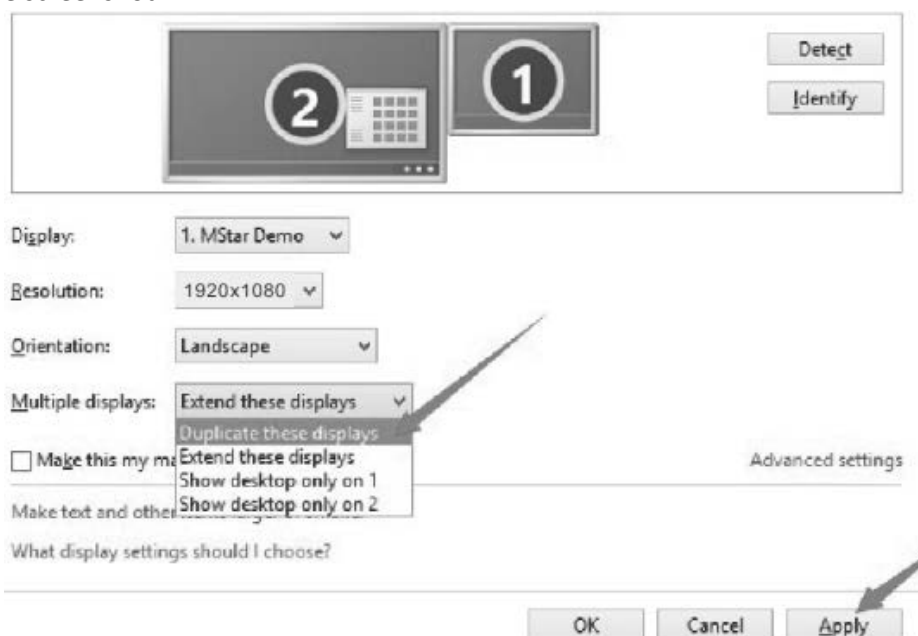


Afbeelding 2

TIP:

Stel de beeldscherm resolutie van uw PC/Laptop in op ongeveer 1920x1080 of een beetje hoger, voor een betere helderheid van de beeldweergave.

Indien u een onjuiste weergave op het beeld krijgt dient u de instellingen van uw PC te wijzigen, bij “Multiple displays”, dient u deze te zetten op “Duplicate these displays”. Zie het hieronder afgebeelde screenshot.



Probleem Oplossen

Probleem oplossen

Probleem	Mogelijke oorzaak
1. De indicator werkt niet als de schakelaar is omgezet.	❖ De elektriciteitsdraad is niet goed aangesloten.
	❖ De schakelaar is kapot.
2. De projector gaat niet aan met de afstandsbediening	❖ De schakelaar staat op OFF
	❖ Er zitten geen batterijen in de afstandsbediening of ze zijn leeg
	❖ De afstandsbediening is niet gericht op de IR ontvanger
	❖ Er schijnt een fel licht op de IR ontvanger
3. Geen beeld	❖ De ingangsbron is waarschijnlijk niet goed geselecteerd.
	❖ Geen ingangs signaal.
	❖ De ingang kabel is niet aangesloten.
	❖ In PC modus, de PC uitgang frequentie is niet 50-60Hz. Controleer of de uitgang van de PC is verbonden met de projector.
	❖ Wanneer u een laptop gebruikt, dient het uitgang signal VGA te zijn.
4. Automatisch uitschakelen	❖ De ventilator van de projector is geblokkeerd.
	❖ De spanning is niet stabiel.
	❖ De projector is oververhit – controleer of de ventilator niet kapot is.

Accessoire Lijst

Maat LCD scherm	5.8" TFT	
Ingang Signaal	Video	Component Video (YPbPr), VGA/HDMI/USB/AV
	Audio	Stereo
Uitgang Signaal	Audio	3W x 2 luidsprekers
LCD	Oorspronkelijke resolutie	1920 x 1080
	Contrastverhouding	3000:1
Lens	Focus	200mm
Lamp	LED	140W
	Levensduur	50.000 uren
Beeld	Maat	50-200 inch
	Helderheid	3800 lumens
	Keystone	± 15 graden
Vermogen	Voltage	100 – 240 V ~50/60Hz
	Energieverbruik	170W
Gebruik Omstandigheden	Temperatuur	5°C - 35°C
	Vochtigheid	10% - 65%
Opslag Omstandigheden	Temperatuur	0°C - 40°C
	Vochtigheid	10% - 85%
Afstandsbediening	Frequentie	38KHz
Afmetingen	Maat	336 x 258.9 x 115 mm
	Gewicht	3.5 kg

N.B.: Specificaties kunnen zonder kennisgeving vooraf worden gewijzigd.

Accessoire Lijst

Projector	1 stuk
Afstandsbediening	1 stuk
Elektriciteitskabel	1 stuk
AV signaal kabel	1 stuk
VGA signaal kabel	1 stuk
Handleiding	1 stuk
Reserve zekering	1 stuk

Accessoires die apart kunnen worden gekocht:

1. Projectie Scherm
2. Reserve lamp